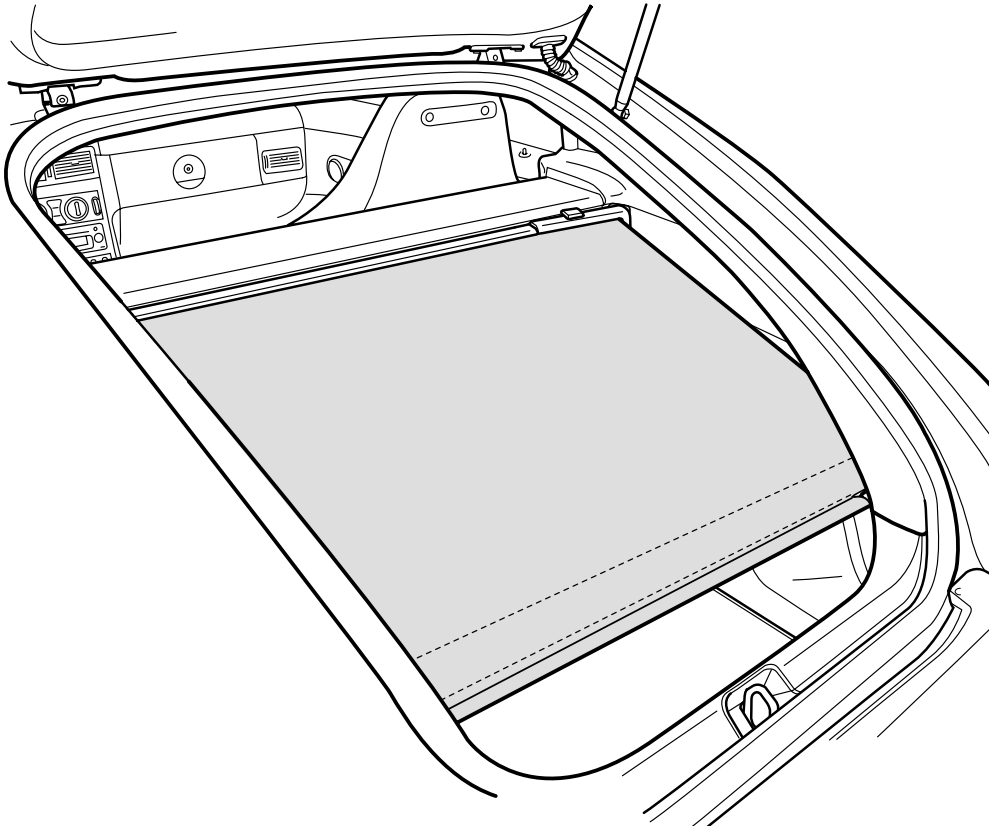




## GENUINE ACCESSORIES



**GB**

INSTALLATION INSTRUCTION **TONNEAU COVER**

**D**

EINBAUANLEITUNG **LADERAUMABDECKUNG**

**E**

INSTR. DE MONTAJE **TAPA PARA EL MALETERO**

**F**

INSTRUCTIONS DE MONTAGE **COVERCLE DE COFFRE À BAGAGES**

**I**

ISTRUZIONI DI MONTAGGIO **COPERTURA VANO DI CARICO**

Subject to alteration without notice  
Technische Änderungen vorbehalten  
Reservadas modificaciones técnicas  
Sous réserve de modifications techniques  
Con riserva di apportare modifiche tecniche

Expert Fitment Required  
Montage durch Fachwerkstatt erforderlich  
Montaje sólo por el concesionario  
Montage par spécialiste nécessaire  
E' necessario in officina specializzata

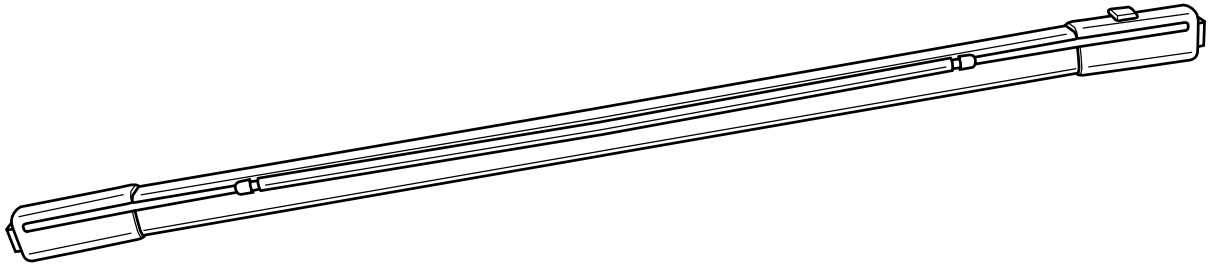
03-2004

K6859276

© DAIMLERCHRYSLER

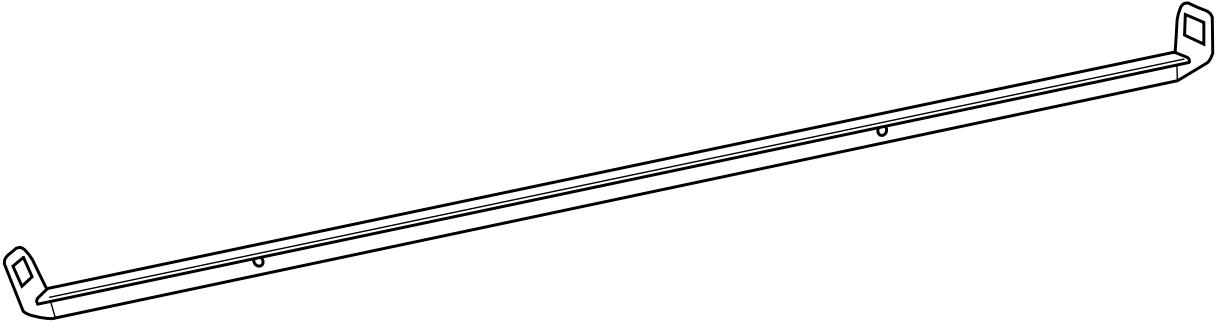
# GENUINE ACCESSORIES

1x



**A**

1x



**B**

1x



**L**

**C**

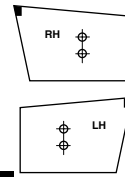
1x



**R**

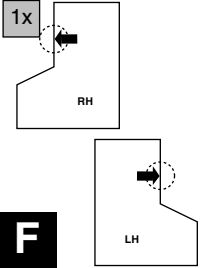
**D**

1x



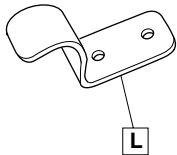
**E**

1x



**F**

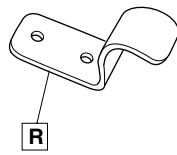
1x



**L**

**F**

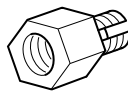
1x



**R**

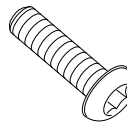
**G**

2x



**H**

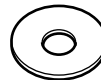
4x



**M4 x 16  
SW 2,5**

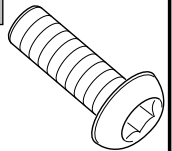
**I**

2x



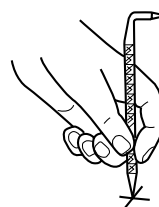
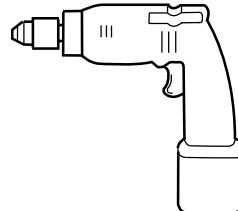
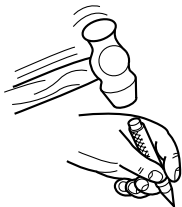
**J**

2x

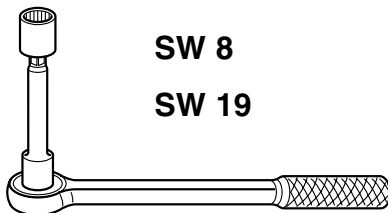


**M12 x 20  
SW 8**

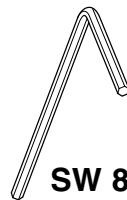
**K**



**Ø 7,0 mm**



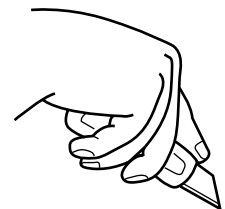
**SW 8  
SW 19**



**SW 8**

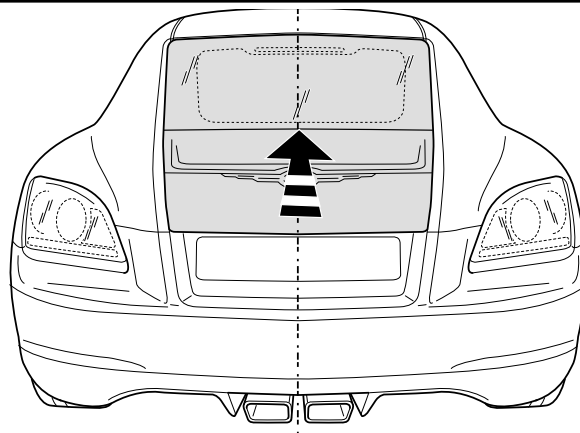


**SW 2,5**

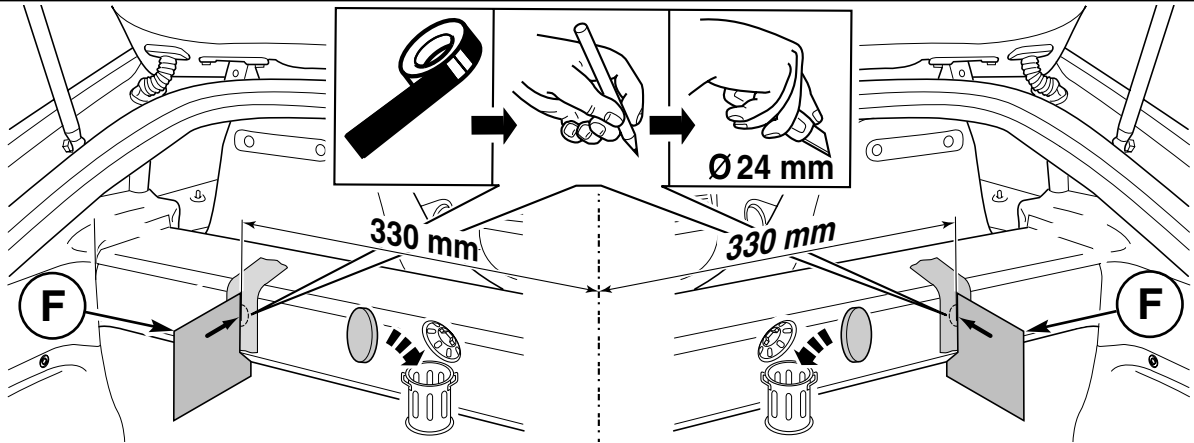




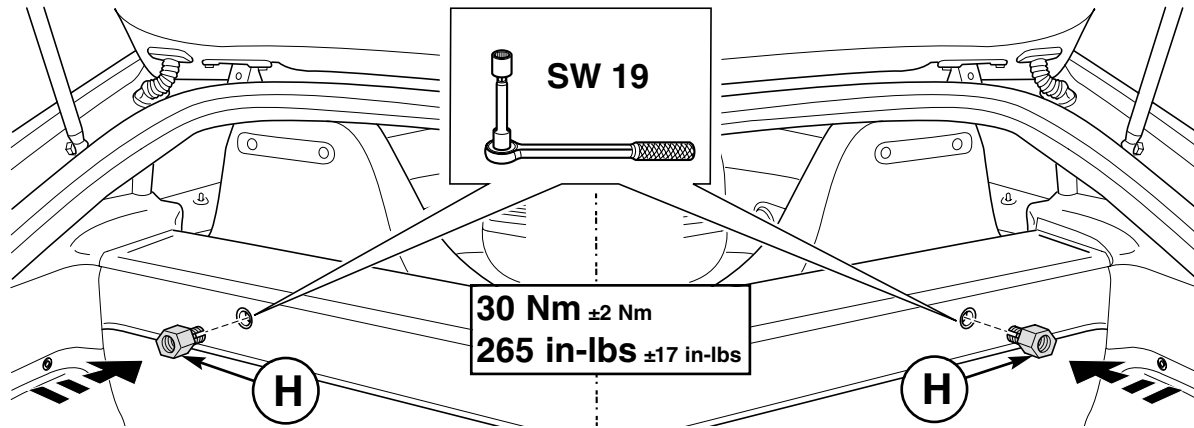
# GENUINE ACCESSORIES



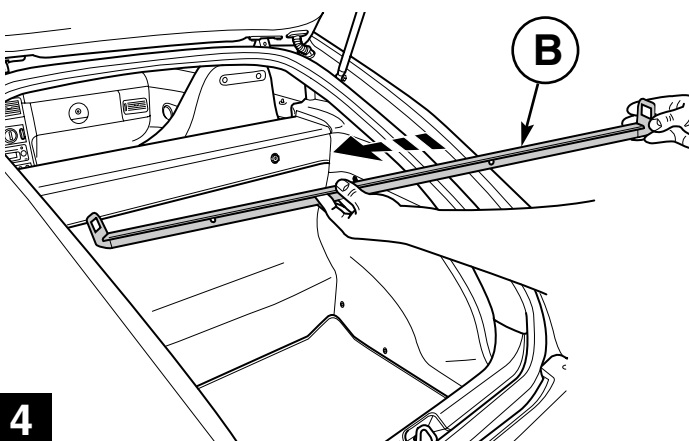
1



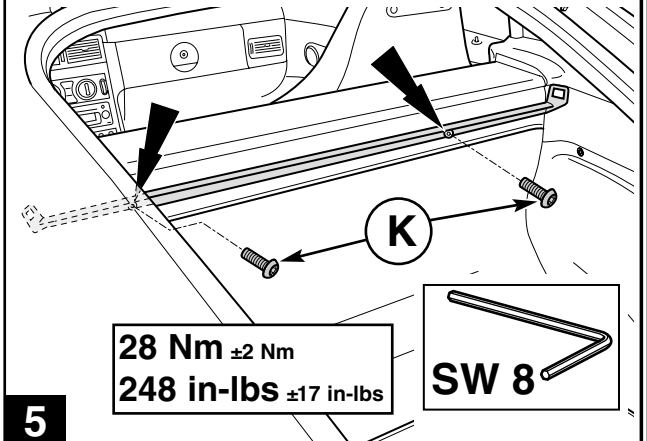
2



3

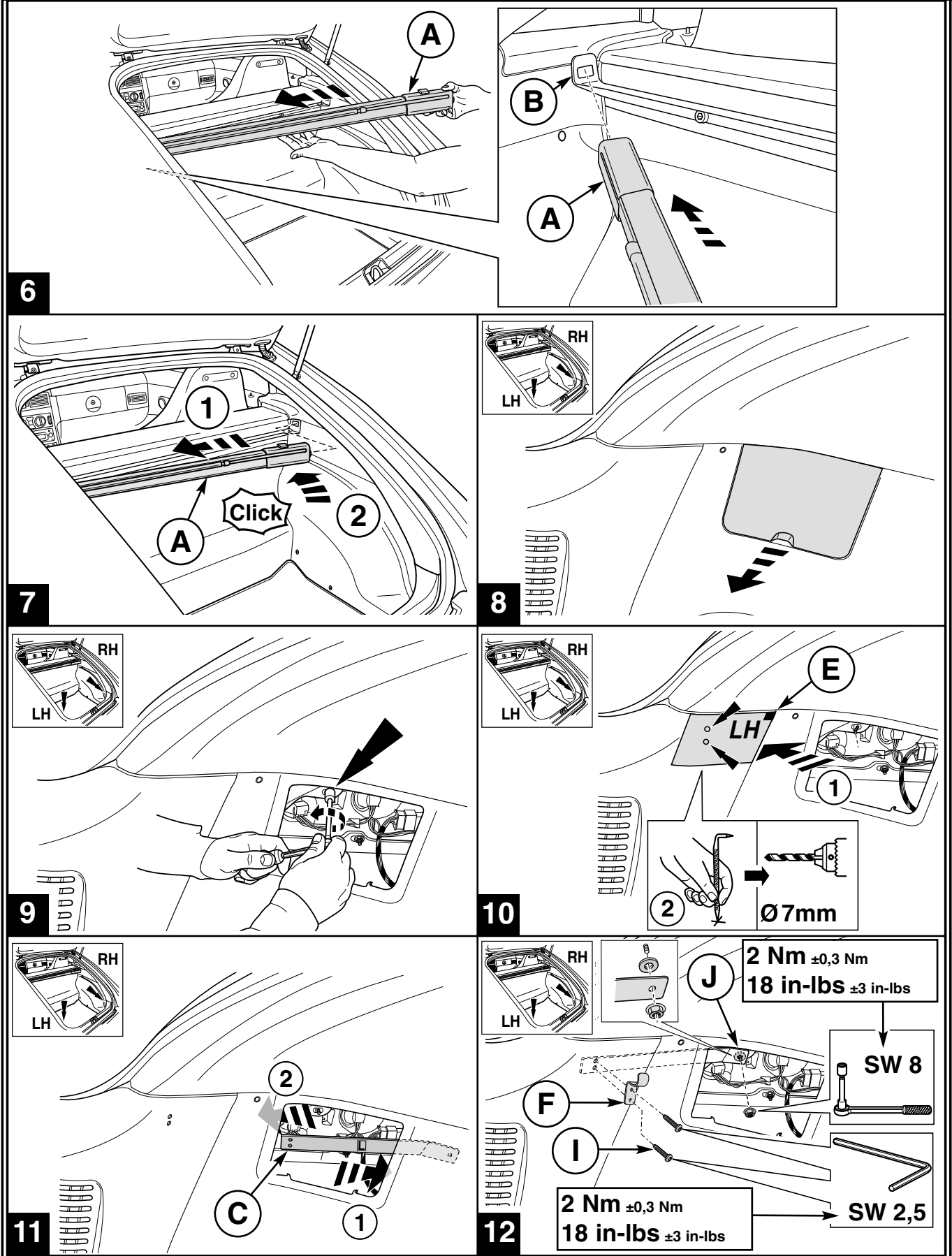


4



5

# GENUINE ACCESSORIES



**6** Diagram showing the initial installation of the accessory into the car's interior. Label **A** points to the main component.

**7** Diagram showing the component being pushed into place. Label **1** points to the component, **A** to the installation point, and **Click** indicates the sound of the component locking. Label **2** points to the locking mechanism.

**8** Diagram showing the component being inserted into the car's body. Labels **RH** and **LH** indicate right and left side views. A dashed arrow indicates the insertion direction.

**9** Diagram showing the component being secured with a screw. Labels **RH** and **LH** indicate right and left side views.

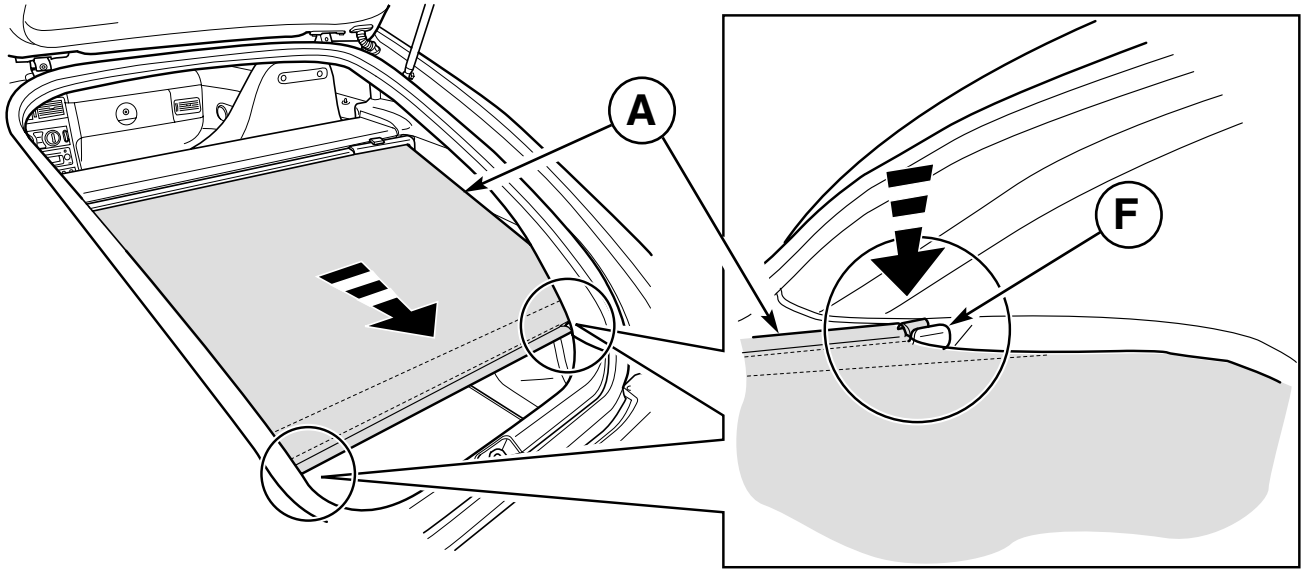
**10** Diagram showing the component being secured with a screw. Labels **RH** and **LH** indicate right and left side views. Label **E** points to the component. Label **1** points to the screw. Label **2** points to the hole being drilled. A callout shows a drill bit with the specification  $\text{Ø}7\text{mm}$ .

**11** Diagram showing the component being secured with a screw. Labels **RH** and **LH** indicate right and left side views. Label **2** points to the component, **C** to the screw, and **1** to the hole.

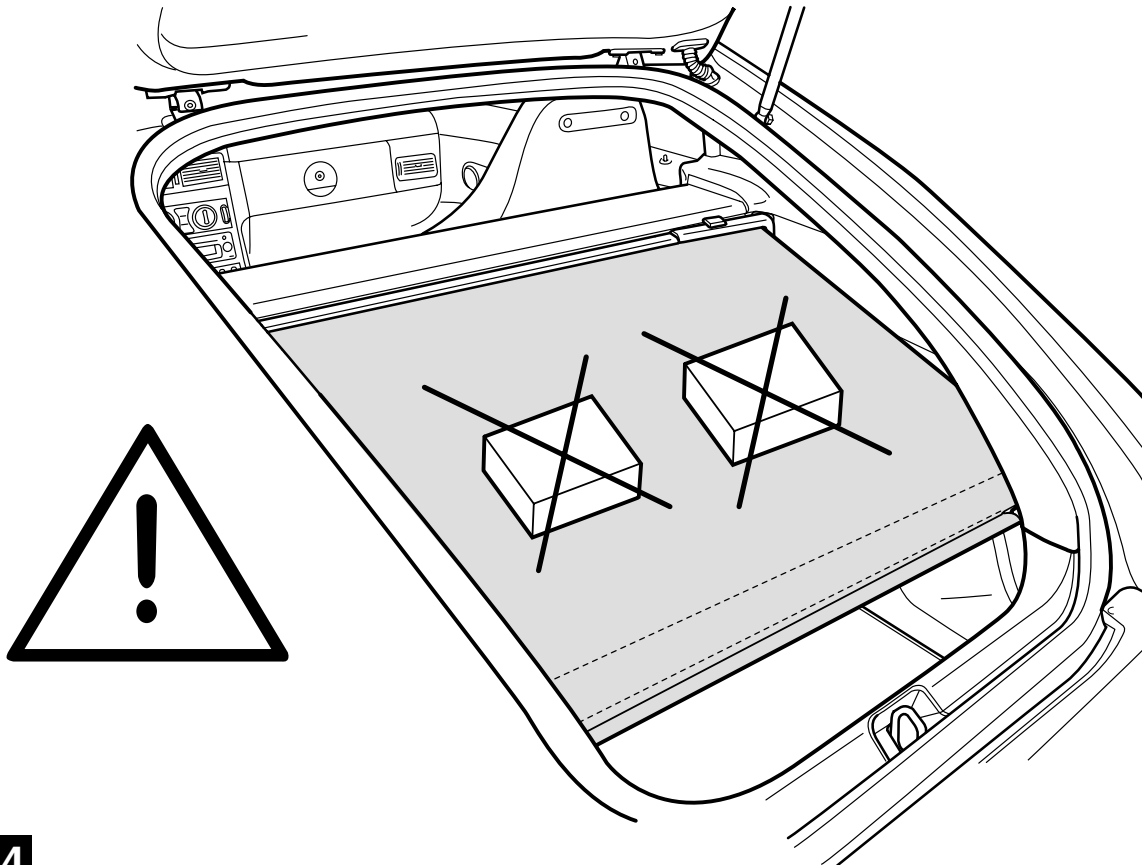
**12** Diagram showing the component being secured with a screw. Labels **RH** and **LH** indicate right and left side views. Label **J** points to the component. A callout shows a screw with the torque specification  $2\text{ Nm } \pm 0,3\text{ Nm}$  /  $18\text{ in-lbs } \pm 3\text{ in-lbs}$ . Label **F** points to the component, **I** to the screw, and **SW 8** to the screwdriver. A callout shows a screw with the torque specification  $2\text{ Nm } \pm 0,3\text{ Nm}$  /  $18\text{ in-lbs } \pm 3\text{ in-lbs}$  and **SW 2,5** to the screwdriver.



**GENUINE ACCESSORIES**



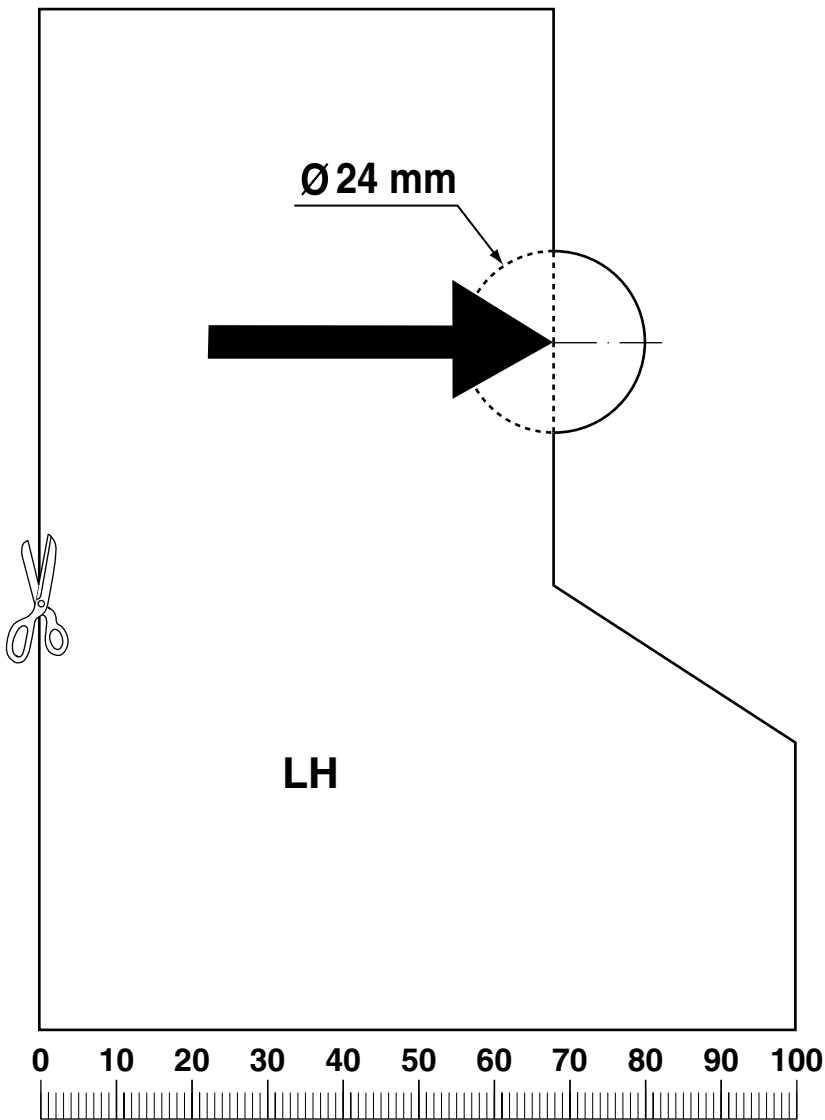
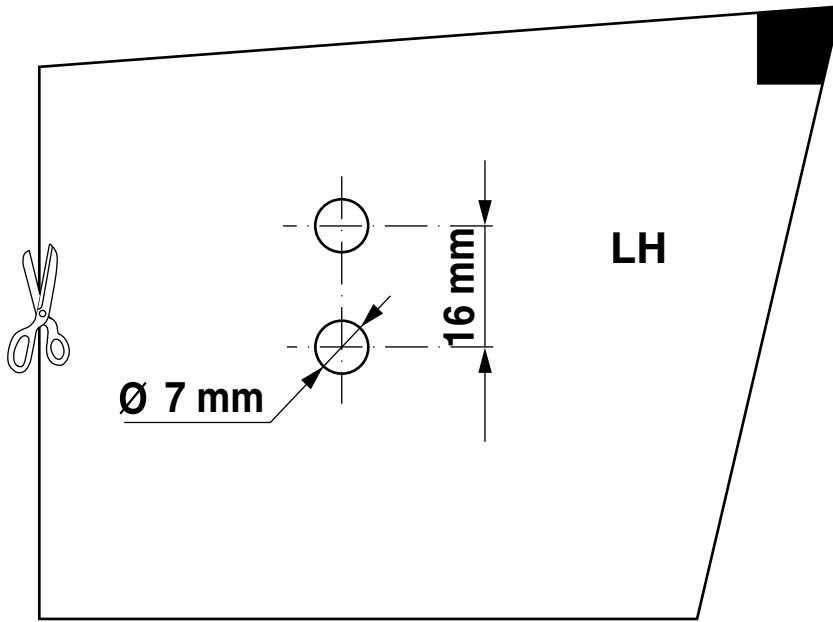
**13**



**14**



**GENUINE ACCESSORIES**





**GENUINE ACCESSORIES**

